

LEADER IN CHINA HIGH END LIGHT TRUCK MARKET



- **JAPANESE TECHNOLOGY**
- **HIGHLY DURABLE & COST SAVING**

2.8L DIESEL ENGINE
JAPANESE TECHNOLOGY

*Terms and conditions apply

HIGHLIGHTED FEATURES



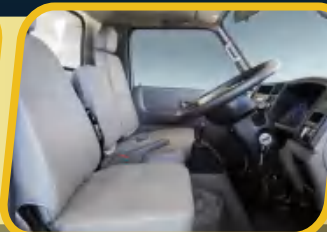
Tiltable Cabin



JX104 with Double Bearing



JX104 with Turbo Engine



Spacious & Bright Cabin Design



Large Compartment



potente LIGHT TRUCK SPECIFICATIONS

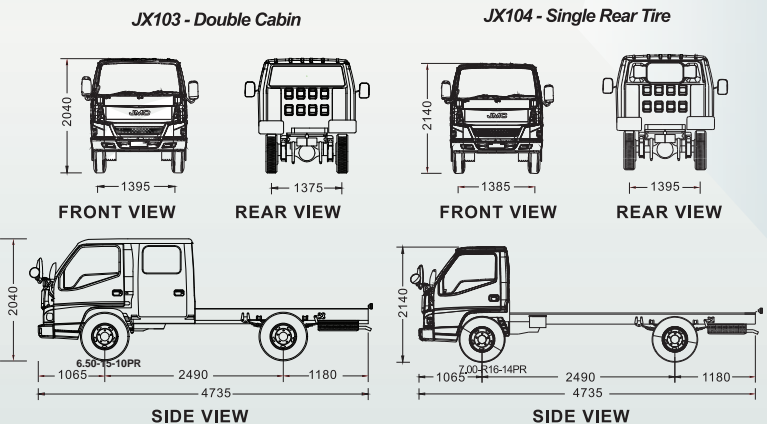
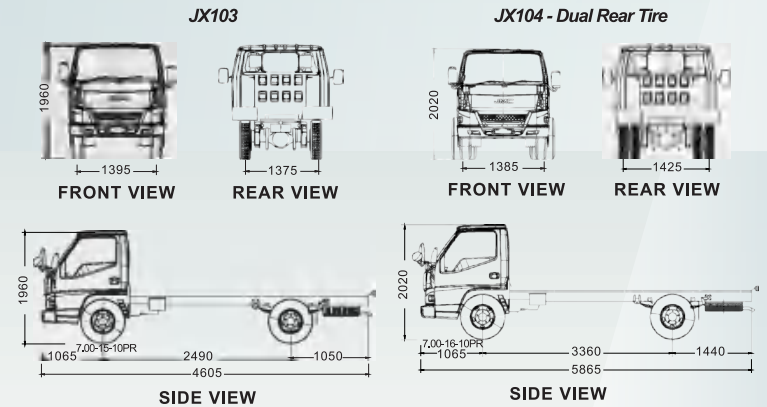
MODEL	JX 103		JX 104	
TYPE	Single Cabin	Double Cabin	Single Rear Tire	Single / Dual Rear Tire
ENGINE				
Engine model	JX 493Q1		JX 493ZQ4A	
Engine type	4 cylinders, water-cooled, direct injection, diesel		4 cylinders, water-cooled, direct injection, turbo diesel	
Displacement (cc)	2771		2771	
Emission standard	EURO-I		EURO-II	
Fuel standard	Diesel		Diesel	
Fuel tank capacity (L)	60		83	
Max. output (kW/HP)/rpm	57 (77)/3600		62 (84)/3600	
Max. torque (Nm/rpm)	172/2000		210/2000	

TECHNICAL DIMENSION				
Overall length x width x height (mm)	4605 x 1690 x 1960	4735 x 1690 x 2040	4735 x 1880 x 2140	5865 x 1880 x 2020
Wheelbase (mm)	2490		2490	3360
Tread (front/rear) (mm)	1395/1375		1385/1395	1385/1425
Minimum ground clearance (mm)	185		190	
Gross vehicle weight (kg)	4100	3800	5000	
Curb weight (kg)	1865	1785	2175	2345
Tire size	7.00-15-10PR	6.50-15-10PR	7.00R16-14PR	7.00R16-10PR

DRIVING SYSTEM				
Transmission type	Manual 5-speed		Manual 5-speed	
Clutch	Single dry plate, hydraulic		Single dry plate, hydraulic diaphragm	
Driving type	Front engine, rear drive		Front engine, rear drive	
Auxiliary brake	-		Exhaust brake	
Brake type	Front drum, rear drum		Front drum, rear drum	
Suspension type (front/rear)	Semi-Elliptical Steel Leaf Spring and Double Acting Hydraulic Telescopic Shock Absorber		Semi-Elliptical Steel Leaf Spring and Double Acting Hydraulic Telescopic Shock Absorber	

FEATURES & ACCESSORIES				
Audio	MP3 + radio		MP3 + radio	
Center console panel	Black		Black	
Rear view window	Manual single curvature		Manual single curvature	
Cabin painting	White		White	
Door handle	Black		Black	
Passenger armrest	Fixed		Fixed	
Adjustable steering wheel	/	/	/	
Power steering	/	/	/	
Reverse buzzer	/	/	/	
Tilt cabin	/	N/A	/	
Air-conditioner	/	/	/	

DIMENSIONS (unit:mm)



Distributor:
R&A MARKETING SDN BHD
Sendok Group Building, Lot 1564, Batu 4, Jalan Kapar,
42100 Klang, Selangor Darul Ehsan, Malaysia
Tel: +603-33455600 Fax: +603-32919658 E-mail: info@sendokgroup.com
CAM Malaysia



Authorised Dealer:

Disclaimer: All features & specification shown in this brochure are subject to change without prior notice and may vary according to locality. The colour(s) of the vehicle(s) and the interior shown herein may slightly differ from actual vehicle.